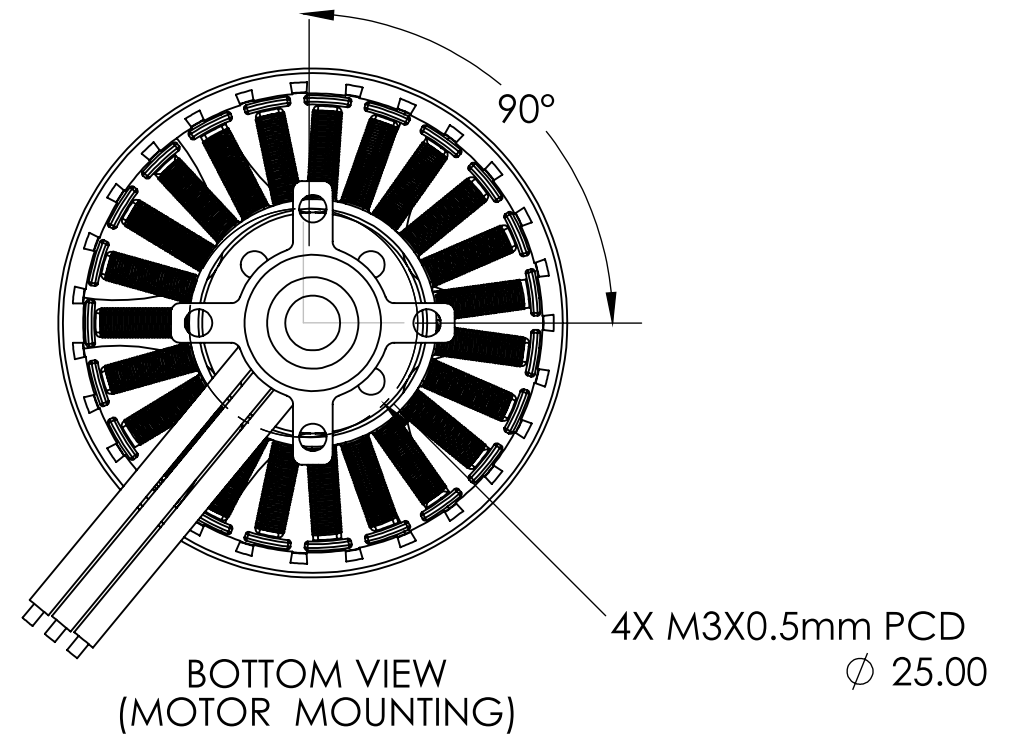
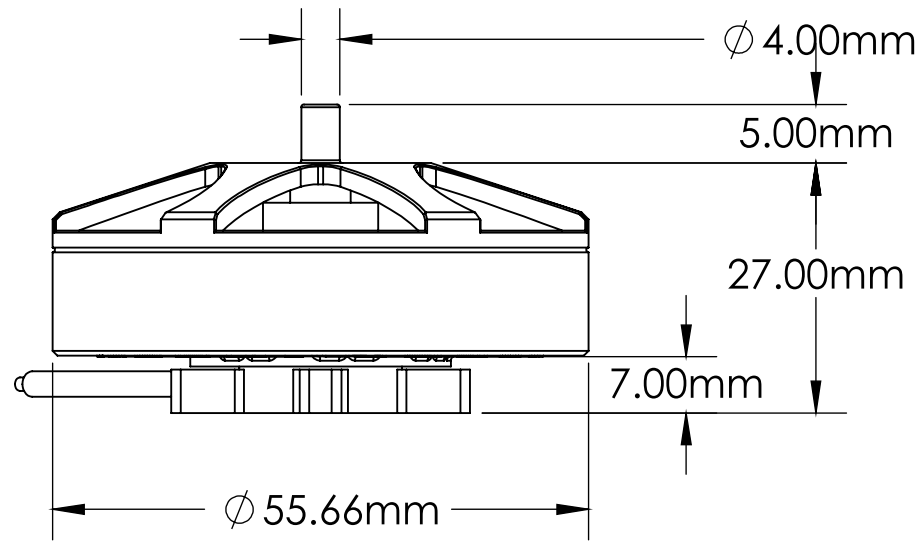


6 5 4 3 2 1

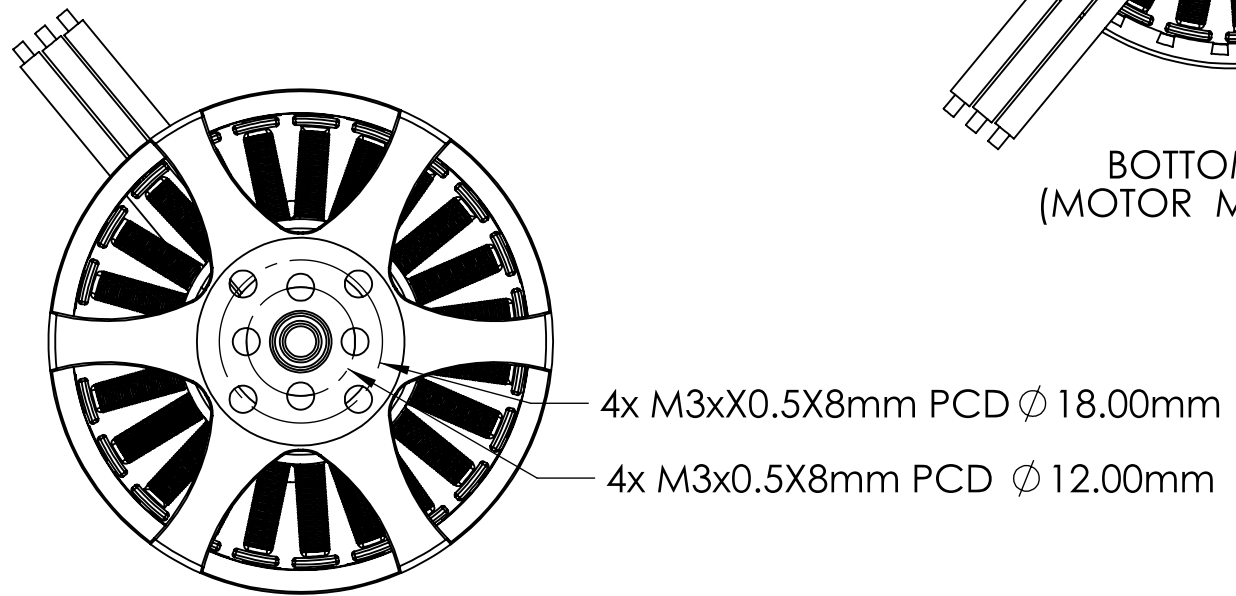
D

D



C

C



B

B

TOP VIEW
(PROPELLER MOUNTING)

A

A

MATERIAL: AL ALLOY	DWG NO. RD 5008 MOTOR	A4
WEIGHT: 135 gm (Incl Wire)	SCALE:1:2	ALL DIM ARE IN MM

6 5 4 3 2 1