

6

5

4

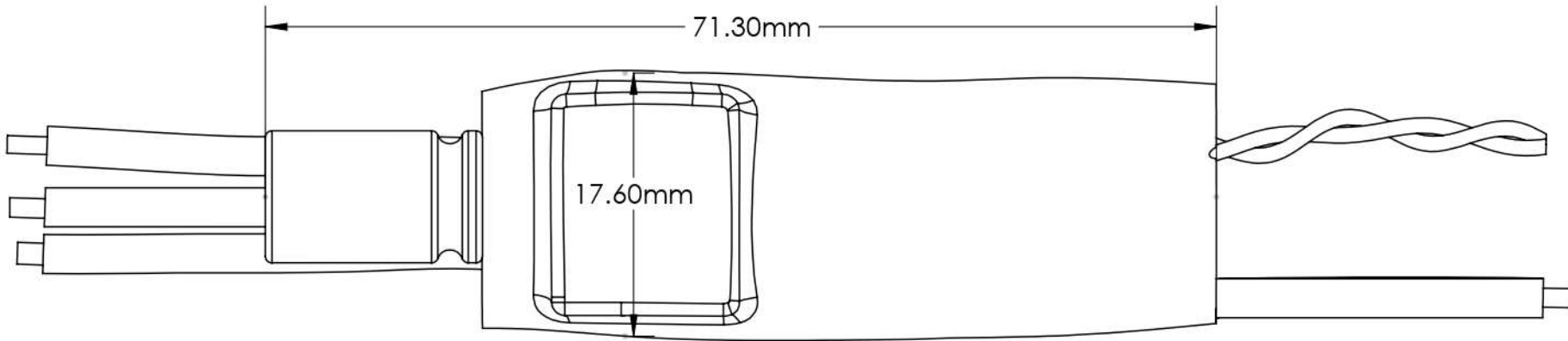
3

2

1

D

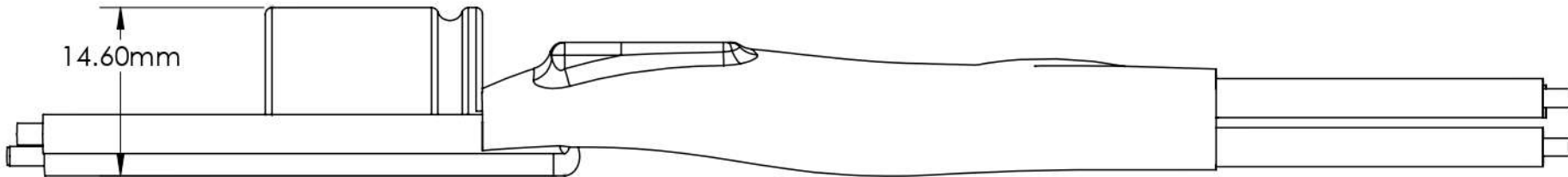
D



TOP VIEW

C

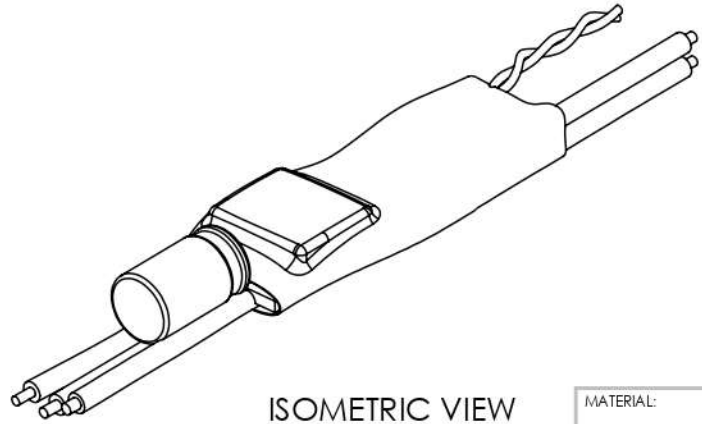
C



SIDE VIEW

B

B



ISOMETRIC VIEW

A

A

MATERIAL: Heat Sink Plate: AL Alloy	TITLE S SERIES	A4
WEIGHT: 25 gm (Incl Wire)	SCALE: 1:1	ALL DIM IN MM

6

5

4

3

2

1